



FireMaster® FastWrap® XL



Datasheet Code US: 7-14-236

MSDS Code US: 406

© 2009 Morgan Thermal Ceramics, a business within the Morgan Ceramics Division of The Morgan Crucible Company plc



Grease Duct Enclosure System
Air Ventilation Duct Enclosure System
Product Data & Installation Guide

1. Product Description

FireMaster® FastWrap XL is a flexible blanket composed of high temperature fibers classified for applications to 2192°F (1200°C) and fully encapsulated in a durable glass fiber reinforced foil facing for easy handling and installation. FastWrap XL is UL and ULC Listed for 1 and 2 hour fire resistive enclosure protection, zero clearance for kitchen exhaust ducts, electrical circuit protection, and as a component in UL firestop designs for fire resistance rated floors, ceilings, and walls. The core fibers in FastWrap XL are manufactured using Morgan Thermal Ceramics patented Superwool® fiber which is an alkaline-earth silicate wool with low biopersistence and therefore increased safety for installers. FastWrap XL is under UL's Follow-Up Service Program to ensure the consistent quality essential to this life-safety application.



ENVIRONMENTAL
CLAIMS
VALIDATION

1 - Low VOC emitting material per
CA Section 01350*
2 - Is Mold Resistant per ASTM C1338-08

* Commonly referred to test method CA Section 01350 is CDPH Standard Method for the Testing and Evaluation of Volatile Organic Chemical Emissions from Indoor Sources Using Environmental Chambers Version 1.1, Feb 2010

Product Features

- Thin and Lightweight at 1-1/2" (38mm) thick, 6 pcf (96 kg/m³) density
- Contours easily to complex duct designs
- Grease duct installation UL Listed with butt joints at all seams on both layers
- Fully foil encapsulated for fast and clean installation
- Contains 2192°F (1200°C) rated fibers
- GreenGuard Microbial Resistance Listing
- Good sound absorption
- Compliant to IMC, NFPA 96, UMC, CMC

2. Applications

- 1 and 2 hour enclosure and firestop system for kitchen exhaust ducts
- Zero clearance to combustibles for kitchen exhaust ducts
- 1 and 2 hour enclosure and firestop system for hazardous exhaust ducts, pressurization ducts, clothes dryer exhaust ducts, trash and linen chutes, and other fire rated HVAC ducts
- 1 hour electrical circuit integrity protection
- Engineered and tested solutions for fire protection of structural steel and storage vessels per ASTM E119, ISO 834, and UL1709

3. Specifications - Division 23 07 00 (or 15080)

CSI Spec and AutoCAD available online,
www.arcat.com/sd/clients/thermcer.html.

FireMaster FastWrap XL is a flexible high temperature insulation rated to 2192 F (1200C) that is fully encapsulated in FSP facing. The duct enclosure system shall be listed by UL per ASTM E 2336 and ISO 6944 for 1-, 2- and 3-hour rating and zero clearance to combustibles, and tested per ASTM E84 for a flame/smoke rating less than 25/50. Insulation shall have a nominal thickness of 1-1/2 inches (38 mm) and density of 6 lbs/ft³ (96 kg/m³). Insulation shall have a R-Value of 7.3 at 75 F. Installation shall be in strict accordance to manufacturers published installation instructions, UL Listings, and shop drawings. FireMaster FastDoor XL shall be used for duct access where specified or as required by code.

FireMaster® FastWrap® XL



4. Physical Characteristics

Product	Unit	Size	Units/ Ctn.	Wt./ Ctn.
FastWrap XL	Roll	1-1/2" x 24" x 25'	1	37.5 lbs.
FastWrap XL	Roll	1-1/2" x 48" x 25'	1	75 lbs.

5. Performance Specifications

Reference Standard	Standard No.	Performance
Grease Duct Enclosure System	ASTM E2336	Pass
Section 16.1 - Non-Combustibility	ASTM E136	Pass
Section 16.2-Fire Resistance (wall)	ASTM E119	Pass
Section 16.3 - Durability Test	ASTM C518	Pass
Section 16.4 - Internal Fire Test	ASTM E2336	Pass
Section 16.5 - Fire Engulfment (duct)	ASTM E814/E119	Pass
ULC Grease Duct Test Protocol		Pass
Grease Duct Clearances	UL 1978	Pass
Air Ventilation Duct Enclosure	ISO 6944	Pass
Surface Burning Characteristics	ASTM E84	<25/50
Thermal Resistance (R-value @ 75°F)	ASTM C518	7.3 per layer
Mold Growth	ASTM C1338	ULE Validated
	ASTM D6329	GreenGuard
Low VOCs	CA Standard 01350	ULE Validated

6. Listings/Building Code Reports

Listed Uses	Agency	Listing	Layers
Grease Duct Enclosure per ASTM E2336 and AC101 (2006, 2009, 2012 IMC, NFPA 96, UMC, CMC)	UL	G18	2
	ICC-ES	ESR 2213	
Grease Duct Insulation per ULC Grease Duct Insulation Test Protocol	ULC	FRD 4, 7	2
Grease Duct Insulation (2003 IMC)	OPL	TC/BI 120-01	1
Through Penetration FireStop System per ASTM E814, UL 1479	UL	See Figure 2	1 or 2
	ULC		
1- or 2-hour Ventilation Duct Enclosure per ISO 6944-1985	UL	HNLJ.V1, 19, 29	1
	ULC	FRD 3, 5, 6, 18	
3-hour Ventilation Duct Enclosure per ISO 6944-1985	UL	HNLJ.V2	2
Electrical Circuit Protective System	UL	FHIT.5	2

7. Storage

FastWrap XL must be stored in a dry warehouse environment on pallets. Pallets should not be stacked.

8. Installation

FastWrap XL shall be installed by a qualified contractor in accordance with manufacturer's instructions and design listings.

Materials and Equipment

- FastWrap XL blanket
- Aluminum foil tape
- Glass filament reinforced tape (optional)
- Carbon steel or stainless steel banding material, minimum 1/2" (13mm) wide, minimum 0.015" (0.4mm) thick, with steel banding clips
- Hand banding tensioner and crimping tool
- Minimum 12 gage (3mm) steel insulation pins; steel speed clips, minimum 1-1/2" (38mm) square or 1-1/2" (38mm) diameter, or equivalent sized cup-head pins;
- Capacitor discharge stud gun
- Morgan Thermal Ceramics FastDoor XL
- An approved firestop sealant

FireMaster® FastWrap® XL



General

Cut edges of the blanket shall be taped with aluminum foil tape to prevent exposed edges of the insulation absorbing grease and moisture in the event of a compromised grease duct joint or condensation. Overlaps and/or tightly butted joints are used to block heat transfer in the event of duct deformation resulting from thermal expansion. Filament tape is suggested to hold the blanket in place until steel banding or pinning is installed to permanently secure the blanket.

A. Installation on Grease Duct per ASTM E2336 (Figure 1)

System requires two layers of insulation applied directly to the duct with tight butt joints at all seams on both layers. The first layer of insulation is cut to a length sufficient to wrap around the duct and provide a tight butt joint where the blanket ends meet. Adjacent blankets on the first layer are butted tightly together with longitudinal seams offset minimum 6" (150mm). The second layer of insulation is installed in the same method as the first layer, with seams between layers offset a minimum of 6" (150mm). Banding and/or pinning per Section D is used to permanently secure the insulation to the duct.

B. Installation on HVAC Duct per ISO 6944 or Grease Duct per UL1978 (Figure 1)

System requires one layer of insulation applied directly to the duct with 3" (75mm) overlaps at all seams. The insulation is cut to a length sufficient to wrap around the duct and provide a 3" (75mm) overlap where the blanket ends meet. Adjacent blankets are installed to provide a minimum overlap of 3" (75mm). Banding and/or pinning per Section D is used to permanently secure the insulation to the duct.

C. 2 & 3 Sided Wrap Installation (Figure 4)

When space does not allow for a complete wrap applied to the duct on all four sides, the FastWrap XL is approved for 2 or 3 sided installations with mechanical attachment to a rated concrete or CMU assembly. (See Figure 4 for installation details.)

D. Mechanical Attachment Methods

- 1) Banding (Figure 1)** - Minimum 1/2" (13mm) wide carbon steel or stainless steel banding, 0.015" (0.4mm) thick, is placed around the entire perimeter of the insulated duct on maximum 10-1/2" (270mm) centers and 1-1/2" (38mm) from each blanket edge or 1-1/2" (38mm) from each collar edge when using the butt joint

and collar method. The banding is placed around the blanket and tightened to firmly hold the FastWrap XL in place against the duct, but not cause any cutting or damage to the blanket.

- 2) Pinning** - Pinning on all sides of the duct may be used as an alternative to banding. For ducts wider than 24" (610mm) pinning is required on the bottom of horizontal runs, or on one side of vertical runs (in addition to steel banding). When applicable, 12 Gage (0.4mm) steel pins are installed on 12" (305mm) centers along the width of the duct and 10-1/2" (270mm) centers along the length of the duct. Pins that extend beyond the outer blanket layer shall be turned down or the excessive length cut off to prevent sharp edges. Shoot through pins (cup head pins) may be used in conjunction with steel banding to prevent blanket sag.

E. Access Doors

- 1) FastDoor™ XL (Figure 3)** - FastDoor XL is a UL Listed, liquid tight duct cover panel supplied complete with a single layer insulation cover per UL Listing HNK T G18. The FastDoor XL is installed per included installation instructions. No field welding is required.
- 2) Field Fabricated Access Doors** - Each access door assembly has four threaded rods 1/4 inch (6mm) in diameter and 5" (127mm) in length, with one welded to each corner of the door opening. Hollow steel tubes, 4-1/2" (114mm) long are installed outside the access cover plate and over the threaded rods. Four 12 gage (3mm) and 4-1/2" (114mm) long steel insulation pins are welded to the access cover plate to allow for installation of the three layers of FastWrap XL. One layer of FastWrap XL is cut to approximately the same size as the access panel, and impaled over the insulation pins on the panel. A second layer of FastWrap XL is cut so as to overlap the first layer a minimum of 1-1/2" (38mm). It is essential that the first and second layer fit tightly against the surrounding wrap with no through openings. The third and outside layer should be cut to overlap the second insulation layer by a minimum of 1-1/2" (38mm). Minimum 1-1/2" (38mm) round or square insulation clips are installed on the insulation pins to secure the three layers of insulation to the access cover plate. All cut edges of the insulation shall be taped with minimum 3" (75mm) wide aluminum foil tape. Wing nuts and washers are installed on the four threaded rods, and tightened against the hollow steel tubes to seal the

FireMaster® FastWrap® XL



access cover plate to the duct.

F. Through Penetration Firestop System (Figure 2) -

When the duct penetrates a fire rated assembly an approved fire stop system must be employed. Figure 2 provides a complete list of UL / ULC firestop design listings which can be found in the Certifications Directory at www.ul.com for US systems and www.ulc.ca for Canadian systems. Prior to installing any firestop system the surfaces of all openings and penetrating items must be clean and dry. The FastWrap XL core blanket (or mineral wool where allowed by the firestop design listing) must be compressed into the annular space. The packing material must be recessed a minimum depth from the surface of the concrete or gypsum assembly. The recessed opening must be filled with a minimum thickness of an approved firestop sealant. The packing material type and compression, minimum recess (typically 1/4" (6mm)), and approved firestop sealant and thickness (typically 1/4" (6mm)) shall be as specified in an approved UL / ULC firestop design listing. When there is not sufficient annular space around the duct to run the FastWrap XL enclosure system continuous through the fire rated assembly, the enclosure may terminate above and below the floor/ceiling assembly or on either side of a wall assembly as shown in Figure 2. When this method is used, the FastWrap XL must be mechanically attached on either side of the fire rated assembly using one of the attachment methods described in Section D, spaced a maximum of 1-1/2" (38mm) from the fire rated assembly.

G. Support Hanger Systems

1) Grease ducts: Trapeze support hangers shall be spaced on maximum 60 in. (1500 mm) centers. Hanger rods or straps shall be anchored with steel drop in or wedge expansion type masonry anchors. No additional protection is required for hangers and supports meeting the requirements of the Table below.

Hanger Cross Section	Maximum Perimeter, in (mm)	Trapeze Support (or equivalent Yield Strength), in (mm)
3/8 in (10 mm) threaded rod	148 (3759)	2 (51) x 2 (51) x 1/8 (3) in angle

2) HVAC ducts: Trapeze support hangers shall be spaced on maximum 60 in. (1500 mm) centers. Hanger rods or straps shall be anchored with steel drop in or wedge expansion type masonry anchors. No additional protection is required for hangers and

supports meeting the requirements of the Table below.

Hanger Cross Section	Max. Perimeter, in (mm)	Trapeze Support (or equivalent Yield Strength), in (mm)
1 in x 16 gage strap (25 mm x 1.5 gage strap)	100 (2540)	
1/4 in (6 mm) threaded rod	50 (1270)	1 1/2 (38) x 1 1/2 (38) x 3/16 (5) angle
3/8 in (10 mm) threaded rod	150 (3810)	1 1/2 (38) x 1 1/2 (38) x 3/16 (5) angle
1/2 in (12.7 mm) threaded rod	218 (5540)	2 (51) x 2 (51) x 1/4 (6) angle

8. Maintenance and Repair

No maintenance is required when installed in accordance with Morgan Thermal Ceramics (MTC) installation instructions. If damage is limited to the foil facing, aluminum foil tape can be used to repair the foil facing. If an area of blanket is found to be damaged the following procedure must be incorporated. If the damaged area is larger than 8" (203mm) x 8" (203mm) the entire wrap section must be removed and replaced according to MTC installation instructions. If the damaged area is small (less than 8" (203mm) x 8" (203mm)), the damaged area must be cut away and replaced with a new section 1" (25mm) larger in length and width than the cut out are, such that the new section can be compressed tightly into the cut out area. All cut edges of the new section must be taped and sealed with aluminum foil tape. The new section must be held in place with either pinning or banding per MTC installation instructions.

9. Limitations

Morgan Thermal Ceramics FastWrap XL shall be installed in accordance with these installation instructions. The integrity of FastWrap XL systems is limited to the quality of the installation.

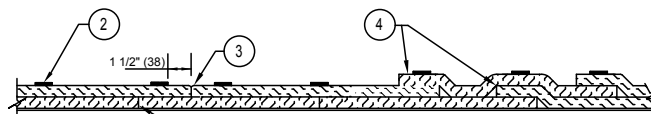
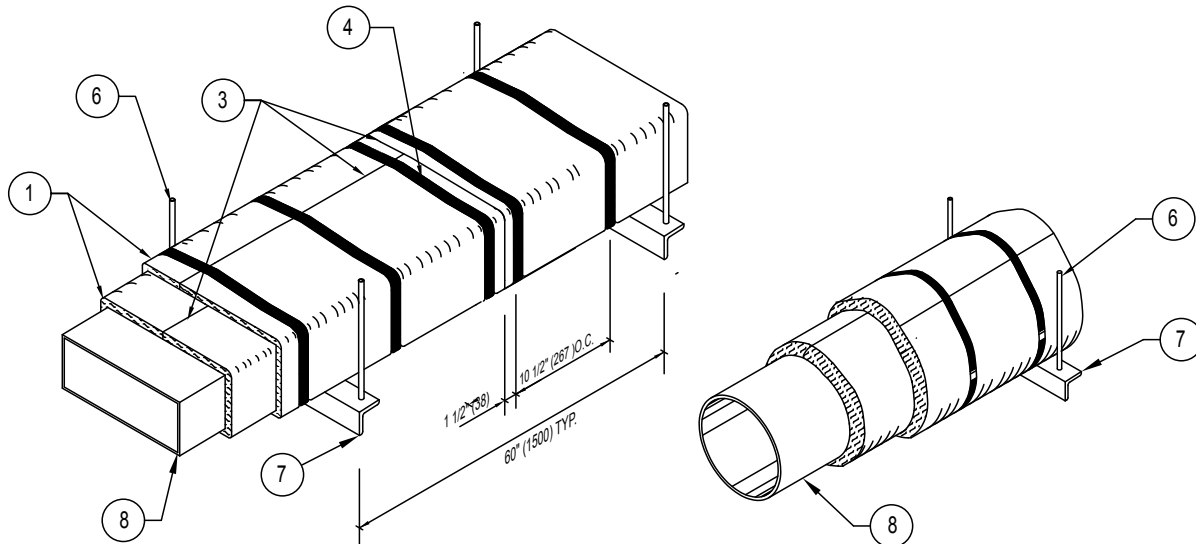
* For personal protective equipment recommendations, please see MSDS.

Thermal Ceramics, FireMaster, and FastWrap are trademarks of Morgan Crucible Company Plc. FireMaster products are manufactured by Morgan Thermal Ceramics and are distributed by authorized distributors.

FireMaster® FastWrap® XL



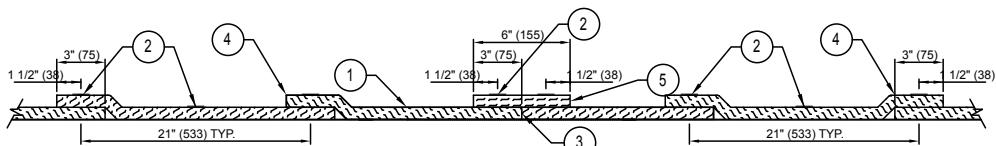
2-Hour and Zero Clearance Grease and HVAC Duct Enclosure System



Butt Joint / Butt Joint Typical

3" (75) Overlap / 3" (75) Overlap
Required for ULC Grease Duct Systems

TWO LAYER INSTALLATION OPTIONS (Grease Duct per ASTM E2336 or ULC Protocol)



Telescope Wrap Option

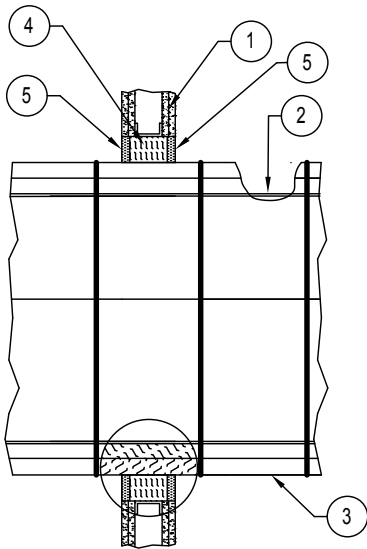
Butt Joint Option

Checkerboard Wrap Option

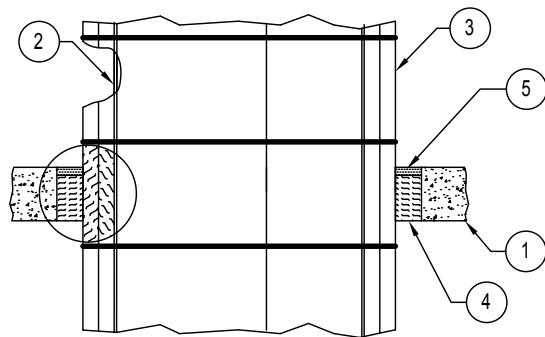
SINGLE LAYER INSTALLATION OPTIONS (HVAC Duct or Grease Duct per UL1978)

FIGURE 1	
1	Two Layers of FireMaster FastWrap XL for ASTM E2336 Grease Duct Enclosures One Layer of FireMaster FastWrap XL for Air Ventilation Duct Enclosures
2	Steel banding minimum 1/2" (13) wide by 0.015" (0.4) thick.
3	Tight butt joints (ULC Grease Duct requires 3" (75) overlap)
4	Min. 3" (75) overlap on perimeter and between adjacent blankets
5	Optional 6" FireMaster FastWrap XL collar
6	Hangers - size dependent weight of assembly (see datasheet Section G)
7	Trapeze Supports - size dependent on weight of assembly (see datasheet Section G)
8	Steel Rectangular or Round Duct (gage and construction dependent on duct type)

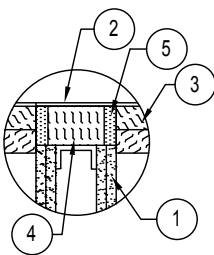
Through Penetration Firestop Systems



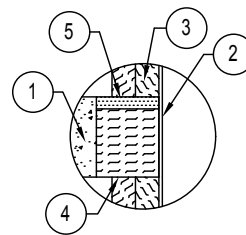
Fastwrap XL continuous through rated wall assembly



Fastwrap XL continuous through rated floor/ceiling assembly



Fastwrap XL terminated on both sides of the rated wall assembly



Fastwrap XL terminated at the top and bottom surface of the floor/ceiling assembly

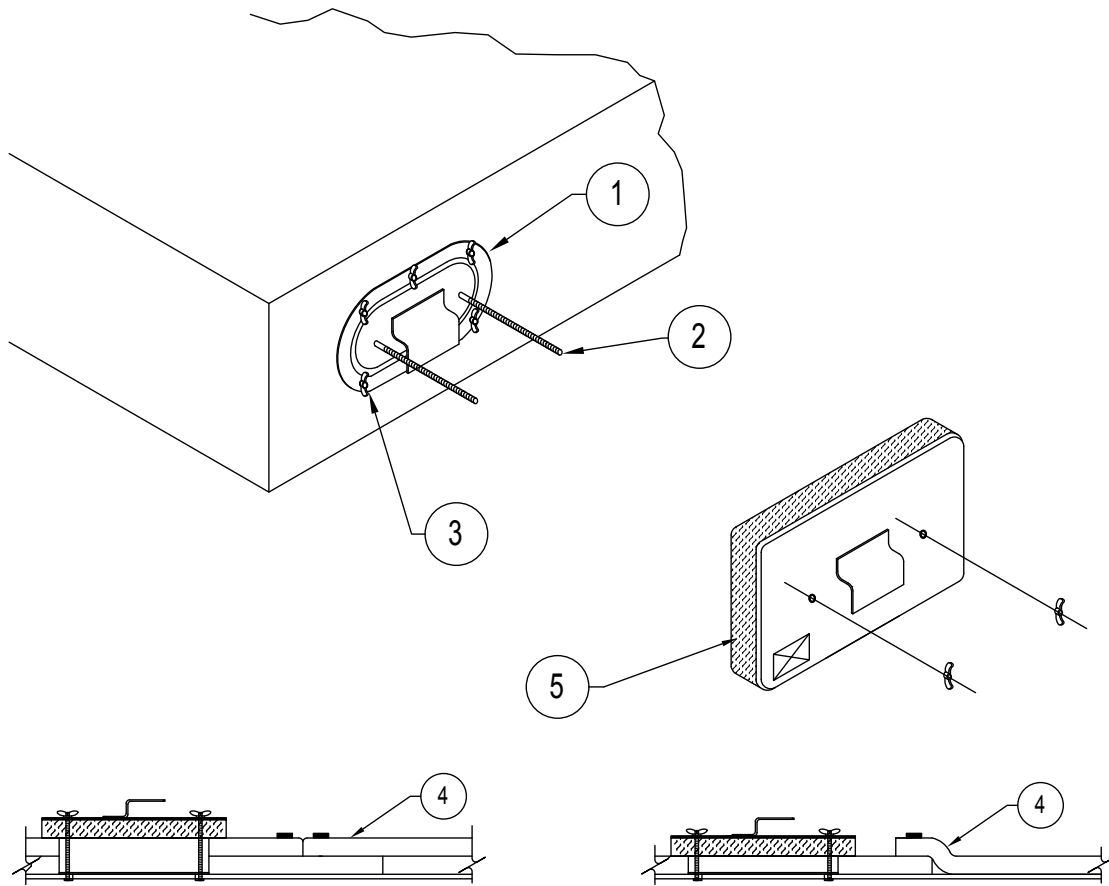
FIGURE 2

1	Rated Floor/ceiling or wall assembly
2	Duct
3	Two Layers of FireMaster FastWrap XL for Grease Duct Enclosures One Layer of FireMaster FastWrap XL for Air Ventilation Duct Enclosures
4	FireMaster FastWrap XL (packing material)
5	Approved through-penetration firestop sealant

Firestop Designs
Per ASTM E814 / UL 1479

UL Listings		ULC Listings
C-AJ-1562	C-AJ-7004	FRD 3
C-AJ-7012	C-AJ-7014	FRD 4
C-AJ-7019	C-AJ-7021	FRD 5
C-AJ-7047	C-AJ-7095	FRD 6
C-AJ-7098	F-A-1093	FRD 7
F-A-3048	F-A-1094	FRD 18
F-C-7037	F-C-7036	
W-L-7121	W-L-7009	
W-J-7086	W-L-7145	

FASTDOOR XL Access Door Systems



ASTM E 2336 Compliant Enclosure and Door System

UL 1978 Compliant Enclosure and Door System

FIGURE 3	
1	UL listed FastDoor XL access panel
2	All Thread Rods and wing nuts
3	Retainer Clips with threaded nut and wing bolts
4	Insulation layers as required by UL or ITS Listings
5	FastDoor XL; 1-1/2 inch thick single layer insulation

FastDoor XL1 Access Doors Sizes	
Available Opening Sizes	Ordering Code
10" x 6" Door Opening	434-6970-034-99X1
12" x 8" Door Opening	434-6970-035-99X1
12" x 12" Door Opening	434-6970-036-99X1
16" x 12" Door Opening	434-6970-037-99X1
20" x 20" Door Opening	434-6970-038-99X1

2 and 3 Sided Wrap Detail for Attaching to Walls and/or Ceilings

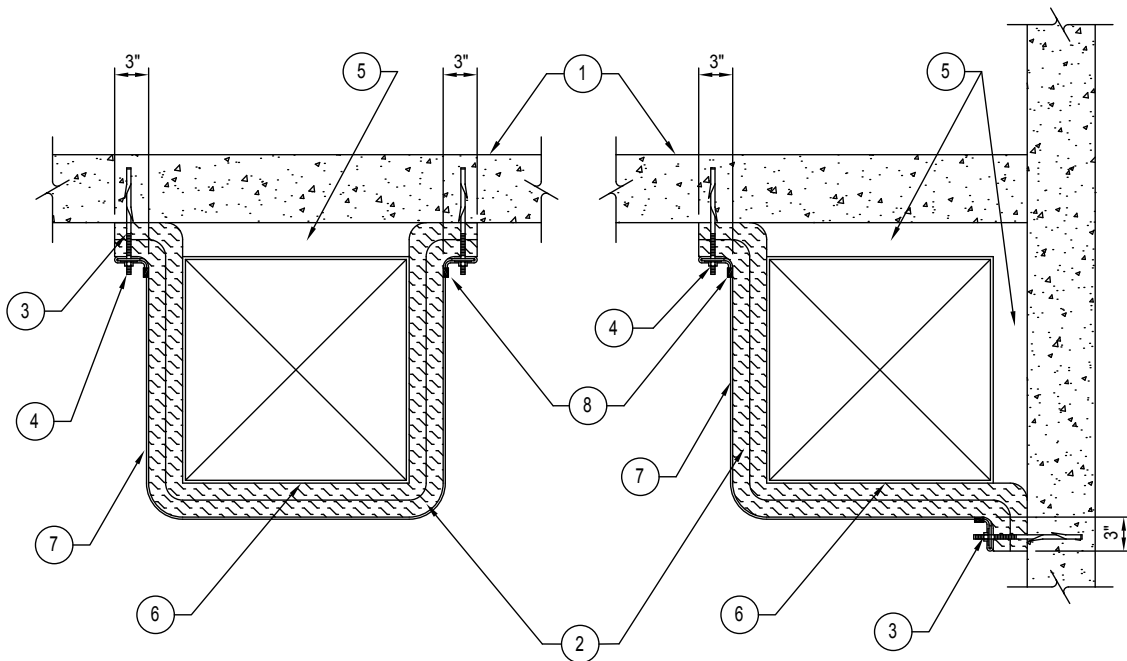


FIGURE 4

1	1 or 2 Hour Rated Concrete floor, ceiling, or wall
2	Insulation layers as required by UL and ULC Listings (see datasheet Section 6)
3	Concrete fastener system
4	3/16" (5) thick x 2" (50) -3" (75) wide bar stock perforated 12" (305) o.c.
5	8" (203) maximum Air Gap
6	Duct (independently supported as required by code)
7	Steel banding min. 1/2" (13) wide by 0.015" (0.4) thick.
8	Banding clip